

پمپ سانتریفیوژ چدنی ابارا سری MMD 65



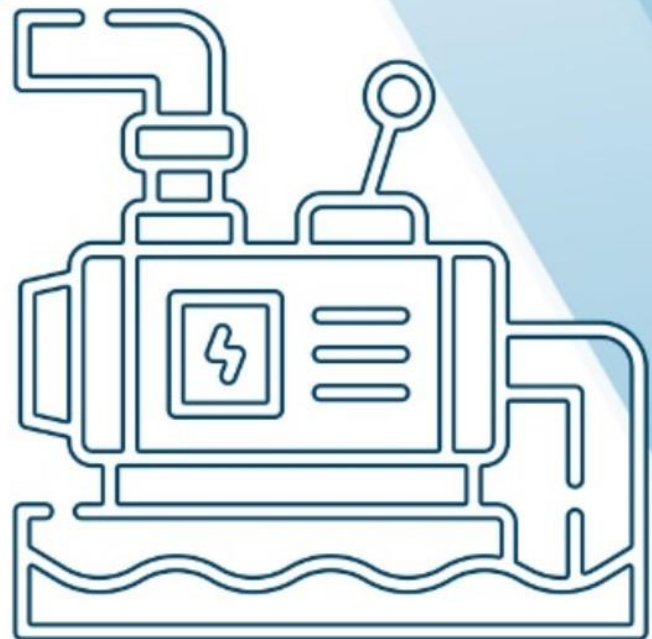
www.kalasanati.com



@kalasanati_com



+982188544230



PUMP

www.kalasanati.com

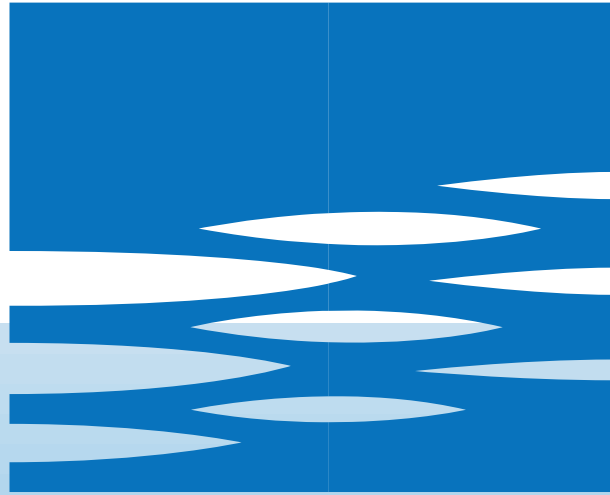


از این که کالا صنعتی را انتخاب کرده اید از شما ممنونیم. گروه کالا صنعتی را میتوان بهترین شرکت برای مشاوره و خرید کالای صنعتی دانست. این شرکت با ترکیب صنعت و تکنولوژی توانسته بهترین خدمات مشاوره ای در زمینه خرید کالای صنعتی و به طور تخصصی پمپ آلات خانگی و صنعتی موجود در بازار را ارائه دهد. انواع پمپ آب خانگی، کفکش، لجن کش، موتور پمپ، شناور، پمپ وکیوم، بیستونی، دیافراگمی، پمپ دنده ای و بسیاری کالاهای مرتبط با این دسته بندی ها، در سایت کالا صنعتی قابل خرید بوده و سعی بر آن است که قیمت های درج شده کاملاً به روز باشد تا اینکه تصمیم گیری برای مشتریان و کارشناسان فنی شرکت ها آسان شود.

در راستای ارزشمندی مشاوره برای انتخاب پمپ، آماده کردن دیتاشیت و کاتالوگ های با کیفیت در دستور کار این شرکت قرار گرفته است. در ذیل دیتاشیت پمپ ابارا آمده و این مشخصات مربوط به آخرین ویرایش شرکت سازنده می باشد.

- نکته: همواره سعی بر آن بوده که مشخصات و اطلاعات مربوط به کاتالوگ ها به صورت دقیق بازنویسی و نگارش شود. اما به صورت سهوی ممکن است اشکالات نگارشی در کاتالوگ وجود داشته باشد.





EBARA

	Page
- SPECIFICATIONS	200
PERFORMANCE RANGE	201
SELECTION CHART	202
TYPE KEY	203
CURVE SPECIFICATIONS	204
PERFORMANCE CURVE MD 32-250/5.5	205
PERFORMANCE CURVE MD 32-250/7.5	205
PERFORMANCE CURVE MD 32-250/9.2	205
PERFORMANCE CURVE MD 32-250/11	205
PERFORMANCE CURVE MD 40-250/11	206
PERFORMANCE CURVE MD 40-250/15	206
PERFORMANCE CURVE MD 50-250/15	207
PERFORMANCE CURVE MD 50-250/18.5	207
PERFORMANCE CURVE MD 50-250/22	207
- CONSTRUCTIONS	300
SECTIONAL VIEW DRAWING	300
SECTIONAL VIEW TABLE	301
BEARINGS	302
MECHANICAL SEAL	303
FITTINGS	304
- DIMENSIONS AND WEIGHT	400
PUMP MD 32-250 / 40-250	400
PUMP MD 40-250 / 50-250	401
PACKING	402
- TECHNICAL DATA	500
MOTOR DATA and NOISE DATA	500

SPECIFICATIONS

50Hz

Rev. Q

PUMP		
Liquid Handled	Type of liquid	Clean water
	Temperature [°C]	min. -5 max. +90 max. +110 (H-HS-HW-HSW) max. +120 (E)
Maximum working pressure	[MPa]	1
Flange		UNI 2236
Counterflange (On request)		UNI 2247
Construction	Impeller	Closed centrifugal type
	Shaft seal type	Mechanical seal
	Bearing	Sealed ball bearing
Pipe Connection	Suction	Flange to DIN 2532 (50 mm - 65 mm)
	Discharge	Flange to DIN 2532 (32 mm - 40 mm - 50 mm)
Material	Casing	Cast iron
	Impeller	AISI 304
	Shaft seal	Ceramic/Carbon/NBR (for MD) Ceramic/Carbon/FPM (for MDH) SiC/SiC/FPM (for MDHS) Tungsten Carbide/Tungsten Carbide/FPM (for MDHW) Carbon/Ceramic/EPDM VBEGF (for MDE) * SiC/Tungsten Carbide/FPM (for MDHSW)
	Shaft	AISI 304 (wet extension)
	Bracket	Cast iron
Applicable standard of test		ISO 9906:2012- Grade 3B

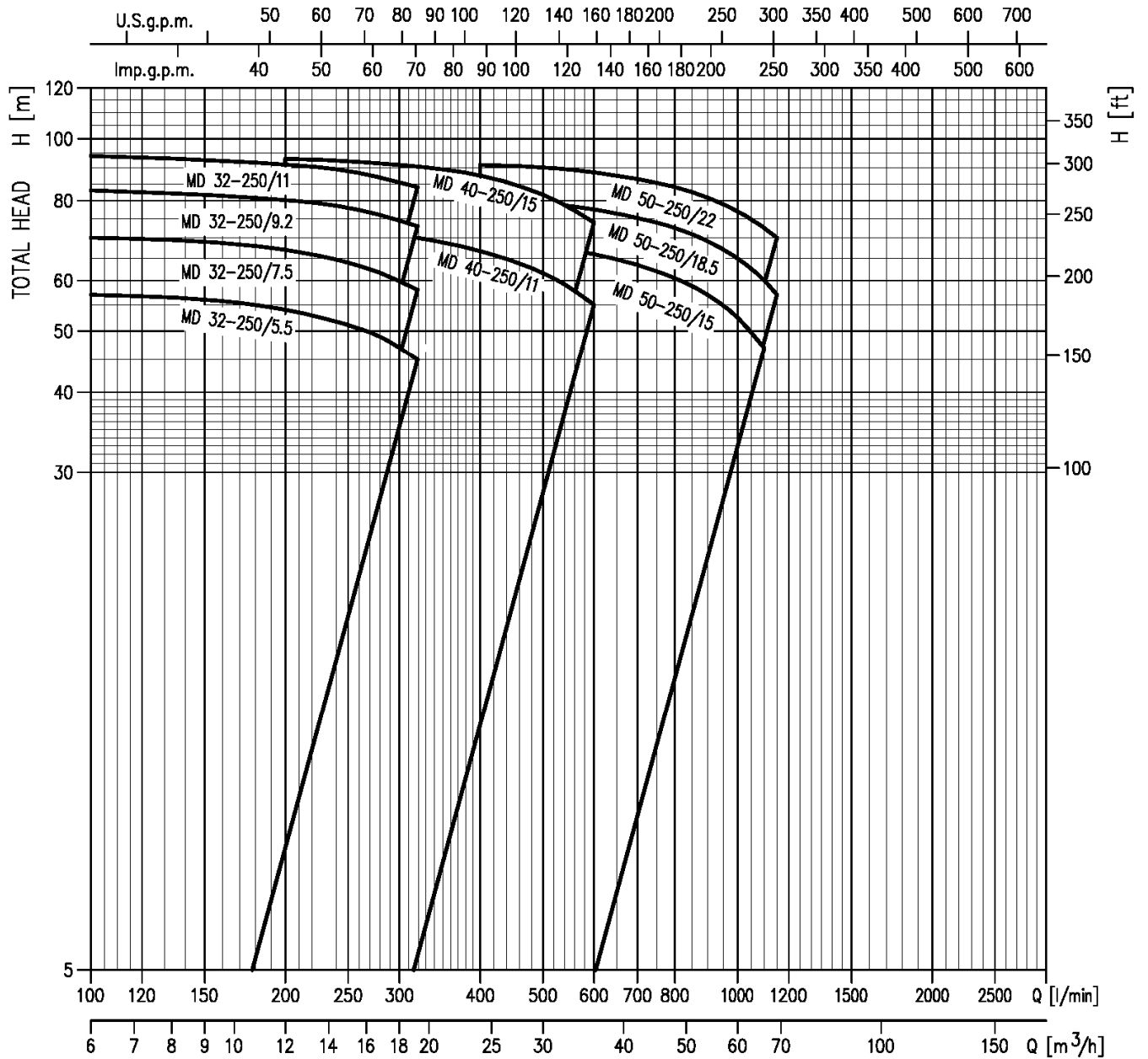
MOTOR		
Type		Electric – TEFC Three Phase
Efficiency level (Reg. 640/2009)		IE2 and IE3 from 5.5 kW up to 22 kW
No. of Poles		2
Rotation speed	[min-1]	≈2900
Insulation Class		F
Protection degree (CEI EN 60034-5)		IP 55
Power rating	[kW]	5.5 ÷ 22
	[HP]	7.5 ÷ 30
Frequency	[Hz]	50
Voltage	[V]	400/690 ±10%
Over load protection		Provided by the user
Casing material		Aluminium
Base material/motor support		Aluminium / Steel
Dimensions of cable entry		PG 13.5 - PG 16 - PG 21 (see dimensions pages 400-401)

SELECTION CHART

50Hz

Rev. Q

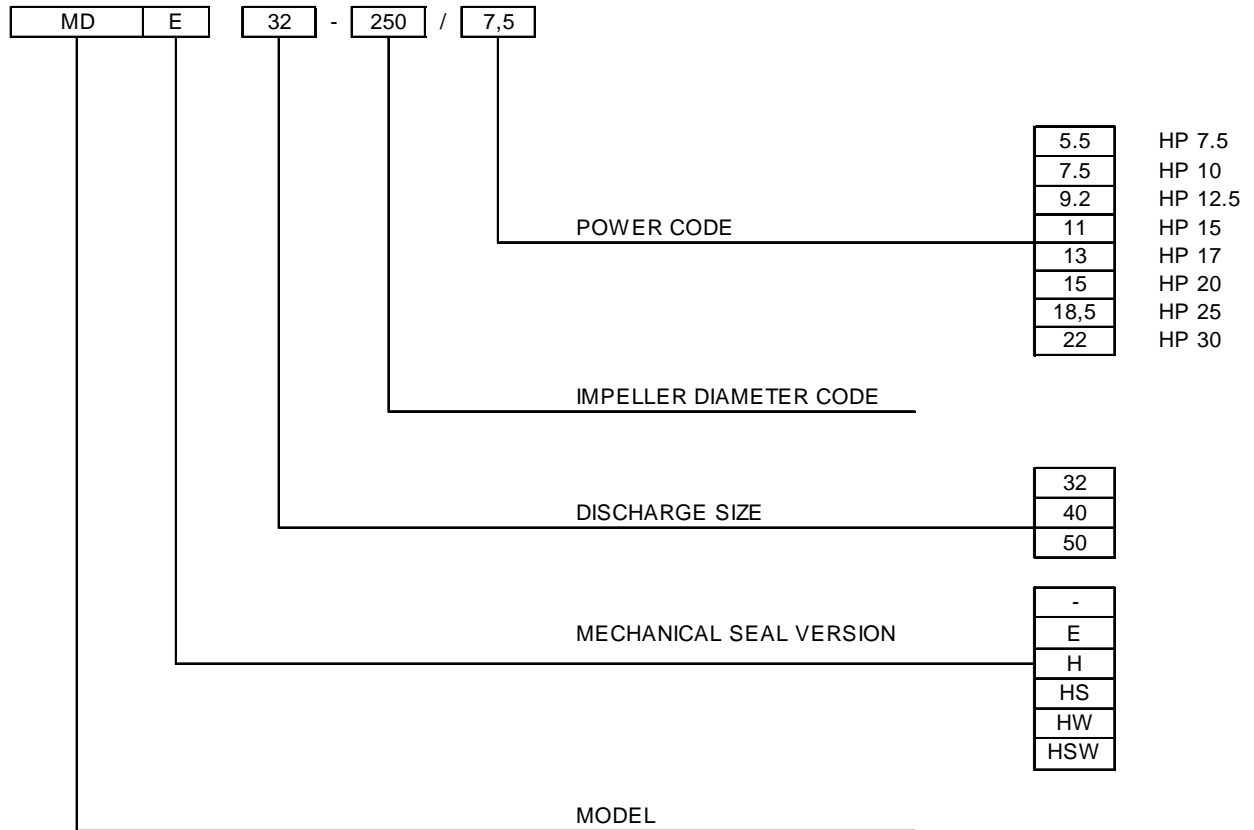
PERFORMANCE RANGE



SELECTION CHART

Pump Type	Power		Q=Capacity																		
	[kW]	[HP]	l/min	0	100	200	250	280	320	400	550	600	667	700	800	1000	1100	1150	1200	1300	
			m ³ /h	0	6	12	15	17	19	24	33	36	40	42	48	60	66	69	72	78	
H=Total manometric head in meters																					
MD 32-250/5.5	5,5	7,5	58	56,5	53	50,4	48,6	45,7	38	-	-	-	-	-	-	-	-	-	-	-	
MD 32-250/7.5	7,5	10	71,5	70	67,1	64,5	62,7	60	53	-	-	-	-	-	-	-	-	-	-	-	
MD 32-250/9.2	9,2	12,5	82,5	81,2	78,2	75,8	74	71,4	65	-	-	-	-	-	-	-	-	-	-	-	
MD 32-250/11	11	15	91	89	86	84	82	79	73	-	-	-	-	-	-	-	-	-	-	-	
MD 40-250/11	11	15	75	-	74	73	72,2	71	68,2	60,1	56,3	49,8	46	-	-	-	-	-	-	-	
MD 40-250/15	15	20	93,8	-	92,7	92,1	91,7	90,8	88,1	81,2	78	72,9	70	-	-	-	-	-	-	-	
MD 50-250/15	15	20	72,8	-	-	-	-	-	71,2	69,2	68,2	66,6	65,7	62,6	54,2	49	46,1	43	-	-	
MD 50-250/18.5	18,5	25	82,8	-	-	-	-	-	81,5	79,5	78,5	77	76,1	73,2	66	61,4	58,9	56,1	50	-	
MD 50-250/22	22	30	93	-	-	-	-	-	91,6	89,7	88,9	87,6	86,9	84,3	77,4	73	70,4	67,7	61,5	-	

TYPE KEY



CURVE SPECIFICATIONS

The specifications below qualify the curves shown on the following pages.

Tolerances according to ISO 9906:2012 - Grade 3B

The curves refer to effective speed of asynchronous motors at 50 Hz, 2 poles.

Measurements were carried out with clean water at 20°C of temperature and with a kinematic viscosity of $\nu = 1 \text{ mm}^2/\text{s}$ (1 cSt)

The NPSH curve is an average curve obtained in the same conditions of performance curves.

The continuous curves indicate the recommended working range. The dotted curve is only a guide.

In order to avoid the risk of over-heating, the pumps should not be used at a flow rate below 10% of best efficiency point.

Symbols explanation:

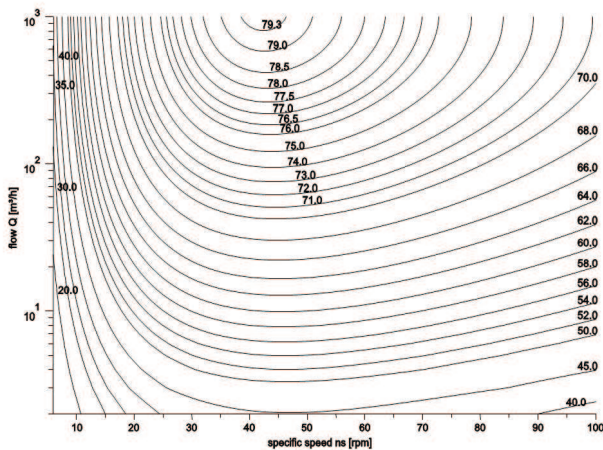
- Q = volume flow rate
- H = total head
- P_2 = pump power input (shaft power)
- η = pump efficiency
- NPSH = net positive suction head required by the pump
- MEI = minimum efficiency index

The minimum efficiency index (MEI) is a measure of the quality of a pump size in respect to its mean efficiency. The minimum efficiency index is based on the hydraulic efficiency and on the head at the best efficiency point.

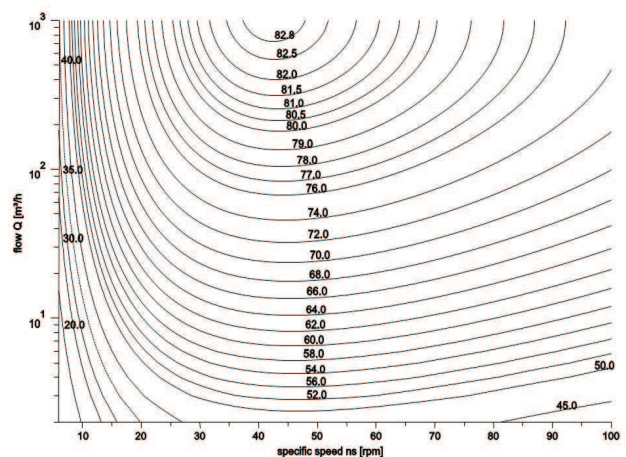
The efficiency of a pump with trimmed impeller is usually lower than that of a pump with the full impeller diameter. The trimming of the impeller will adapt the pump to a fixed duty point, leading to reduced energy consumption. The minimum efficiency index (MEI) is based on the full impeller diameter.

The operation of these water pumps with variable duty points may be more efficient and economic when controlled, for example, by the use of a variable speed drive that matches the pump duty to the system.

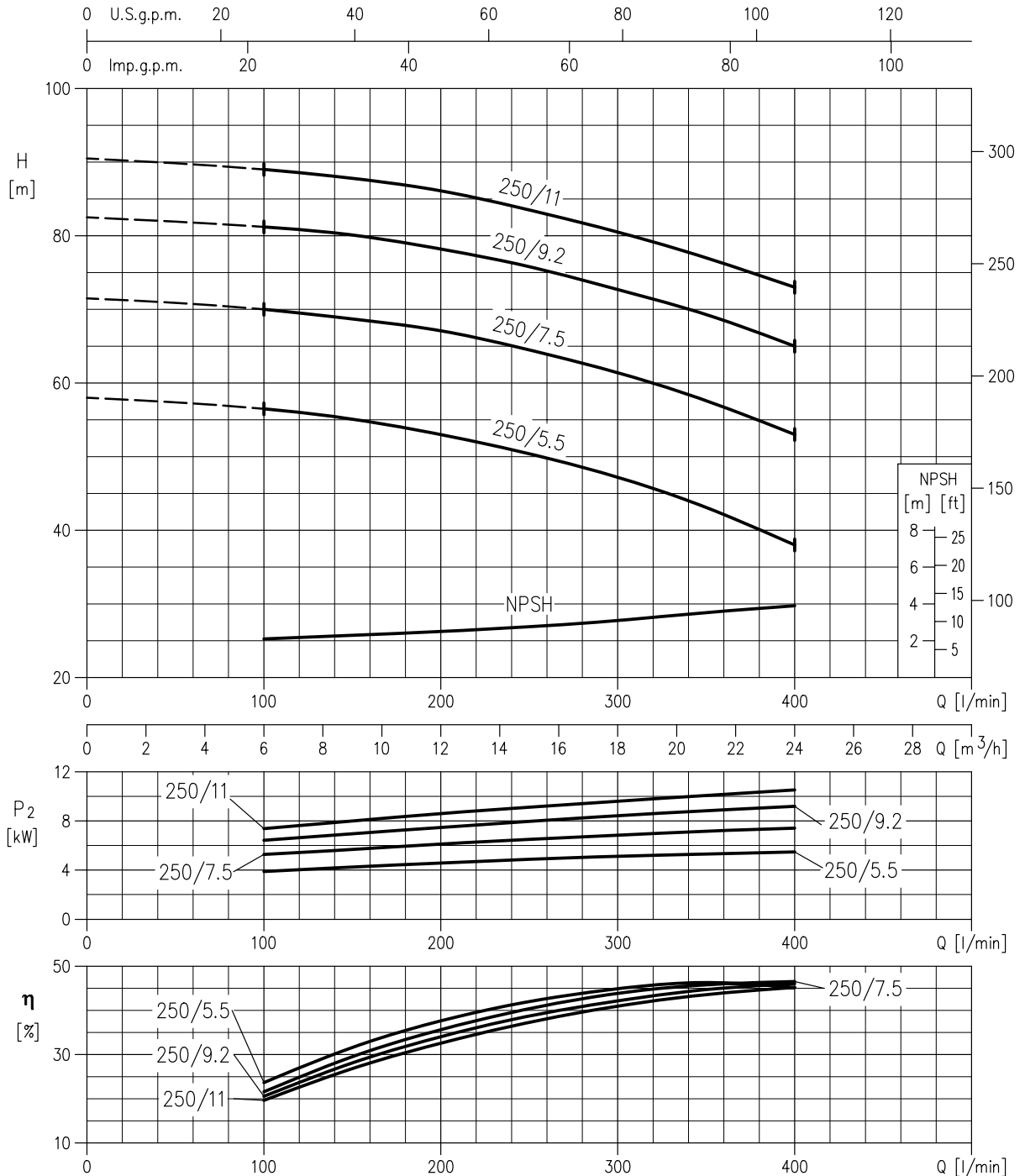
MEI = 0.4 for Multistage Vertical 2900rpm



MEI=0.7 for Mutistage Vertical 2900 rpm

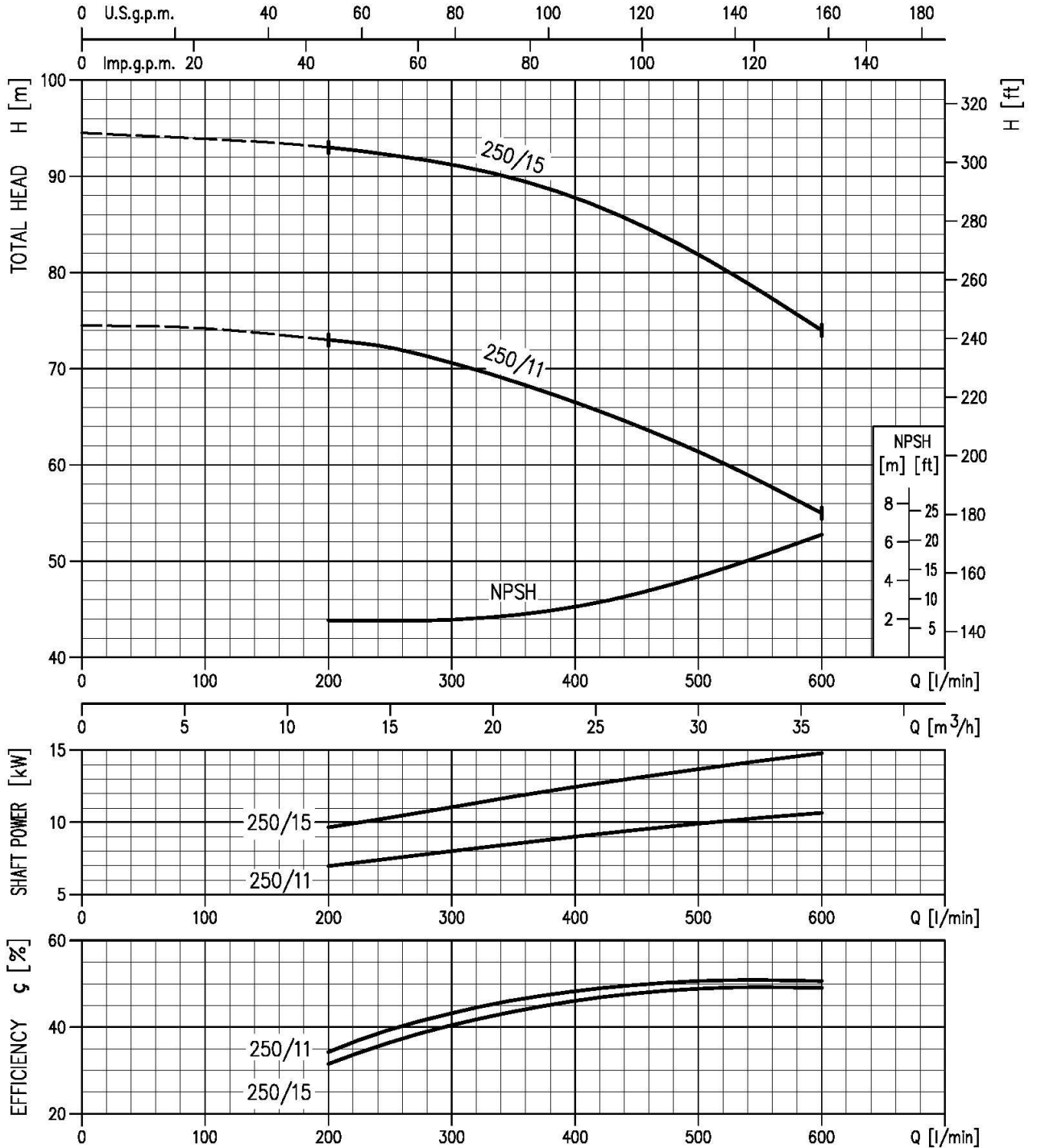


MD 32-250/5.5 (5.5 kW) MEI > 0.70 – Impeller diameter = 218 mm
 MD 32-250/7.5 (7.5 kW) MEI > 0.70 – Impeller diameter = 240 mm
 MD 32-250/9.2 (9.2 kW) MEI > 0.70 – Impeller diameter = 254 mm
 MD 32-250/11 (11 kW) MEI > 0.70 – Impeller diameter = 265 mm



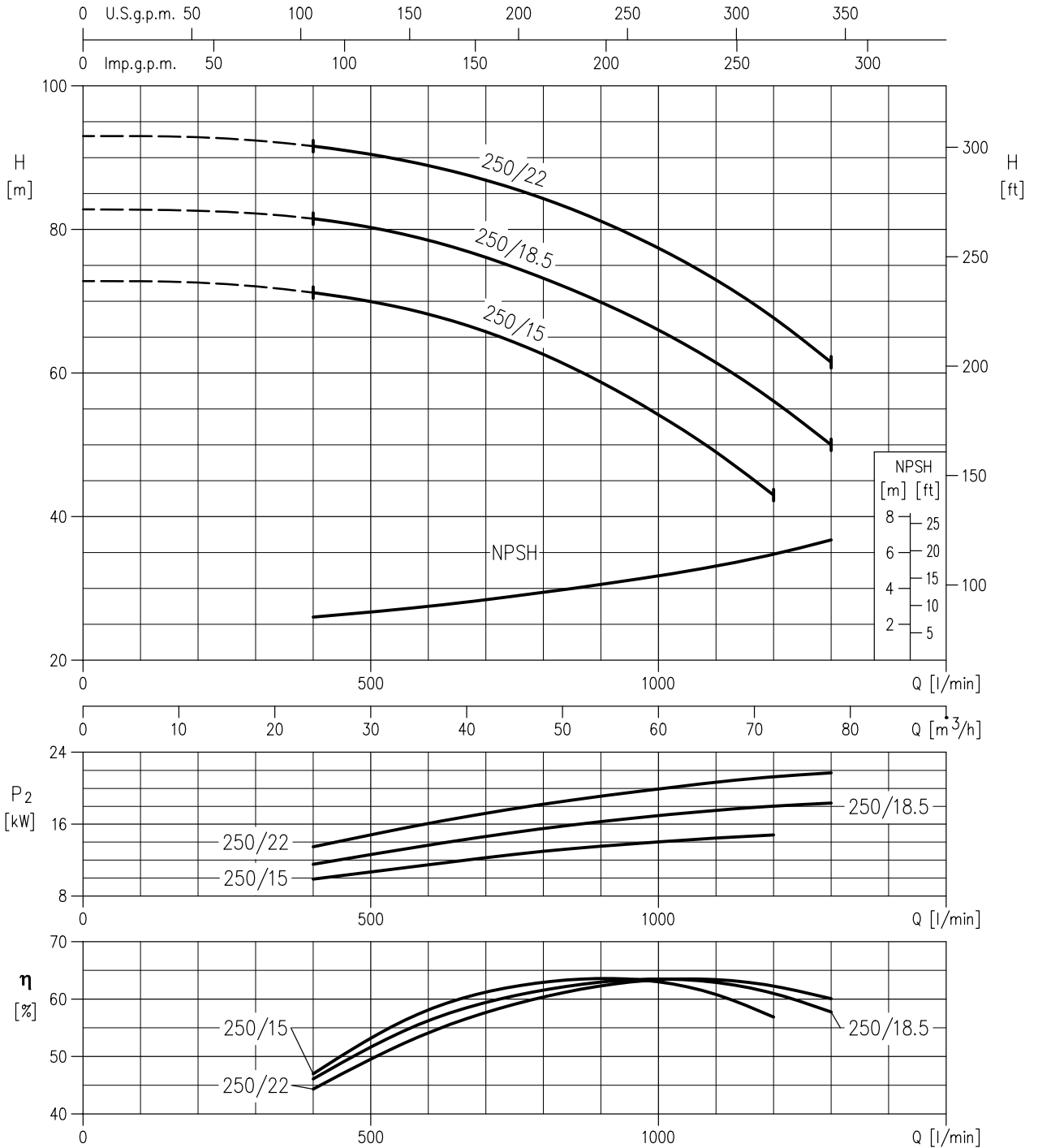
Rotation speed ≈ 2900 min⁻¹
 Test standard: ISO 9906:2012 - Grade 3B

MD 40-250/11 (11 kW) MEI > 0.70 – Impeller diameter = 236 mm
 MD 40-250/15 (15 kW) MEI > 0.70 – Impeller diameter = 259 mm



Rotation speed ≈ 2900 min⁻¹
 Test standard: ISO 9906:2012 - Grade 3B

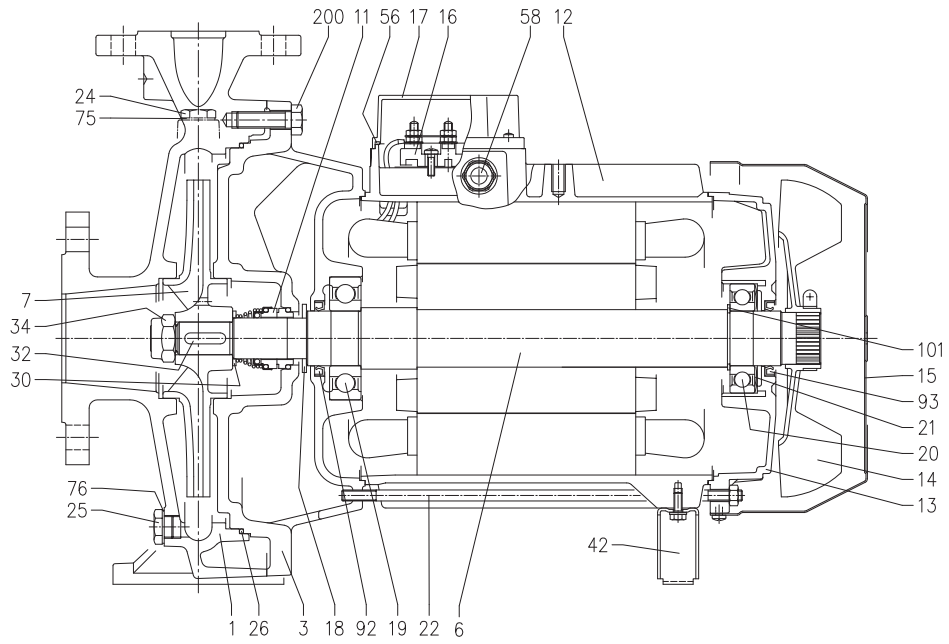
MD 50-250/15 (15 kW) MEI > 0.40 – Impeller diameter = 234 mm
 MD 50-250/18.5 (18.5 kW) MEI > 0.40 – Impeller diameter = 248 mm
 MD 50-250/22 (22 kW) MEI > 0.40 – Impeller diameter = 261 mm



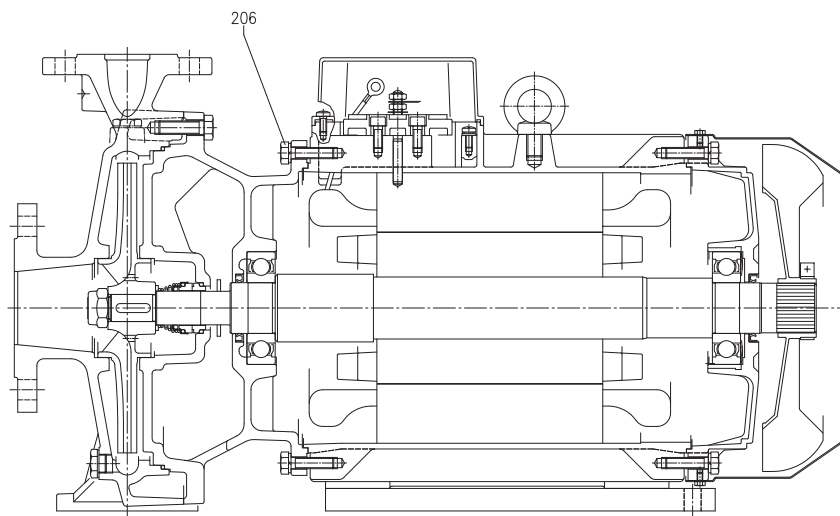
Rotation speed ≈ 2900 min⁻¹
 Test standard: ISO 9906:2012 - Grade 3B

SECTIONAL VIEW DRAWING

UP TO 13 kW



15 kW AND ABOVE



SECTIONAL VIEW TABLE

N°	PART NAME	MATERIAL	DIMENSIONS	STANDARD	N. FOR 1 UNIT	
1	Casing	Cast iron EN-GJL-200-EN 1561			1	
3	Motor bracket	Cast iron EN-GJL-200-EN 1561			1	
6	Shaft with rotor	AISI 304 (Part in contact with liquid)			1	
7	Impeller	AISI 304			1	
11	Mechanical seal [1]	Carbon/Ceramic/NBR			1	
12	Motor frame with stator	-			1	
13	Motor cover	Aluminium			1	
14	Fan	PP			1	
15	Fan cover	Fe P04 Galvanized			1	
16	Terminal box	-			1	
17	Terminal box cover	Aluminium			1	
18	Splash ring	NBR	Up to 7.5 kW	40x21.5x3	EPE DRAWING	1
			9.2 kW and above	50x29.5x3		
19	Pump side ball bearing	-	See table p.302		1	
20	Fan side ball bearing	-	See table p.302		1	
21	Adjusting ring	Steel C70			1	
22	Tie rod	Fe 42 Galvanized		EPE DRAWING	4	
	Screw					Gv. steel 8.8 strenght class ISO 898/1
24	Priming plug	Brass		EPE DRAWING	1	
25	Drain plug	Brass		EPE DRAWING	1	
26	O-ring	NBR [2]	277x3.53	EPE DRAWING	1	
30	Spacer	AISI 304	22.5x26.9x2.5 (up to 7.5kW)	EPE DRAWING	1	
			30.5x40x2.5 (9.2 kW and above)			
32	Key	AISI 316	6x6x25 (up to 7.5kW)	UNI 6604	1	
			8x7x30 (9.2 kW and above)			
34	Impeller nut	AISI 304	M16x1.5 (up to 7.5kW)	UNI 7474	1	
			M20x1.5 (9.2 kW and above)			
42	Foot	Fe P04		EPE DRAWING	1	
56	Box gasket	NBR			1	
58	Cable entry	-			1	
75	Washer	Aluminium	∅ 17 - G3/8		1	
76	Washer	Aluminium	∅ 17 - G3/8		1	
85	Kit counterflange [3]	Flange	Galvanized steel	See table p.304	EPE DRAWING	2
		Screw for flange	AISI 304	M16x55	UNI 5737	8
		Gasket	EPDM	See table p.304		2
92	Lip seal	-	Up to 7.5 kW	30x47x7	DIN 3760 without spring	1
			From 9.2 to 11 kW	40x55x7		
			From 15 to 22 kW	45x60x7		
93	Lip seal	-	Up to 7.5 kW	30x47x7	DIN 3760 without spring	1
			From 9.2 to 11 kW	40x55x7		
			From 15 to 22 kW	45x60x7		
101	Snap ring (only for 9.2-11 kW)	Carbon tool steels TC 80	∅ 40	UNI 7435	1	
200	Screw	Gv. steel 8.8 strenght class ISO 898/1	M12x40	UNI 5739	12	
206	Screw	From 15 kW and above	Gv. steel 8.8 strenght class ISO 898/1	M10x40	UNI 5739	4

[1] See constructions mechanical seal p. 303 *On request

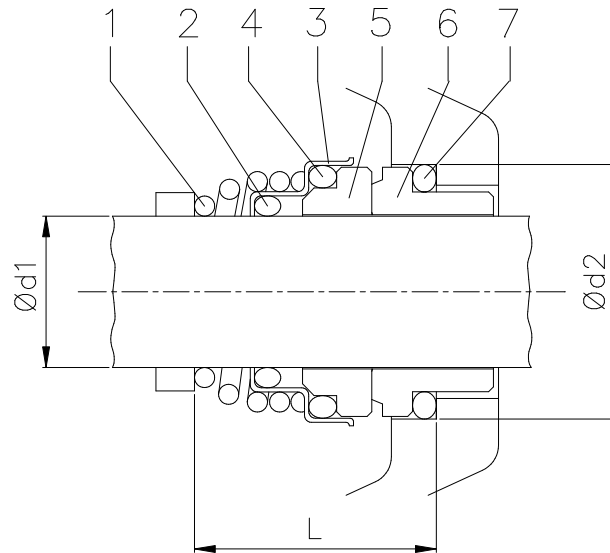
[2] FPM for H-HS-HW-HSW version
EPDM for E version

[3] On request

BEARINGS

Pump type	Ball Bearing	
	Pump side	Fan side
MD 32-250/5.5	6306 2RS1	6206 2RS1
MD 32-250/7.5		
MD 32-250/9.2	6308 2RS1	6208 2RS1
MD 32-250/11		
MD 40-250/11	6308 2RS1	6208 2RS1
MD 40-250/15	6309 2RS1	6309 2RS1
MD 50-250/15	6309 2RS1	6309 2RS1
MD 50-250/18,5		
MD 50-250/22		

MECHANICAL SEAL



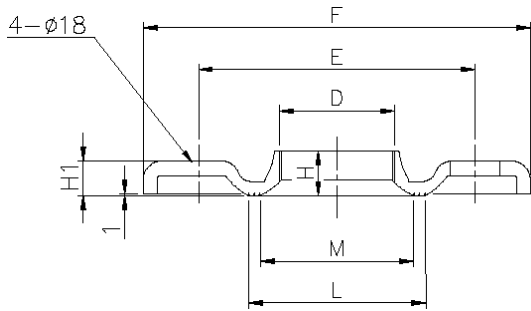
Pump type	Dimensions mm		
	$\varnothing d1$	$\varnothing d2$	L
MD 32-250/5.5	22	37	37,5
MD 32-250/7.5			
MD 32-250/9.2	30	45	42,5
MD 32-250/11			
MD 40-250/11	30	45	42,5
MD 40-250/15			
MD 50-250/15	30	45	42,5
MD 50-250/18,5			
MD 50-250/22			

REF	PART NAME	Standard version (MD)	MATERIAL				
			(H)	(HS)	Optional (HW)	(E)	(HSW)
1	Self driving spring	AISI 316	AISI 316	AISI 316	AISI 316	AISI 316	AISI 316
2	O Ring	NBR	FPM	FPM	FPM	EPDM	FPM
3	Frame	AISI 304	AISI 304/AISI 316*	AISI 316	AISI 316	AISI 304	AISI 316
4	O Ring	NBR	FPM	FPM	FPM	EPDM	FPM
5	Rotary seal ring	Ceramic	Ceramic	SiC	Tung. carbide	Ceramic	Tungsten carbide
6	Stationary seal ring	Carbon graphite	Carbon graphite	SiC	Tung. carbide	Carbon graphite	Tungsten carbide
7	O Ring	NBR	FPM	FPM	FPM	EPDM	FPM

* Only for $\varnothing 30$

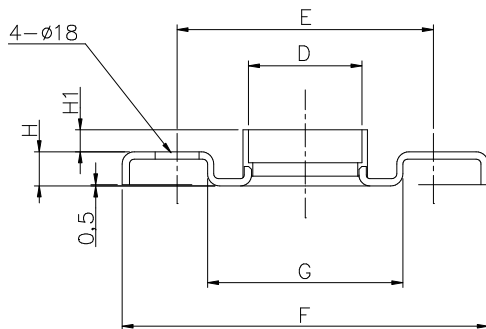
FITTINGS

ZINKED STEEL COUNTER FLANGE (STANDARD)



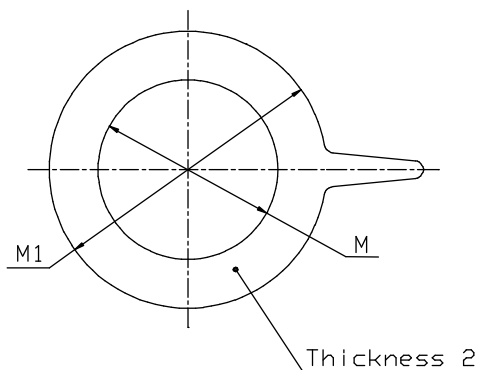
DIN	D	E	F	H	H1	L	M
32	G 1 1/4	100	140	15	11.5	67	50
40	G 1 1/2	110	150	17.5	11.5	72	58
50	G 2	125	165	19	15	89	70
65	G 2 1/2	145	185	23	14	104	88

AISI 304-AISI 316L COUNTER FLANGE (ON REQUEST)



DIN	D	E	F	G	H	H1
32	G 1 1/4	100	140	76	14	15.5
40	G 1 1/2	110	150	81	14	15.5
50	G 2	125	165	96	16	18
65	G 2 1/2	145	185	116	16	24

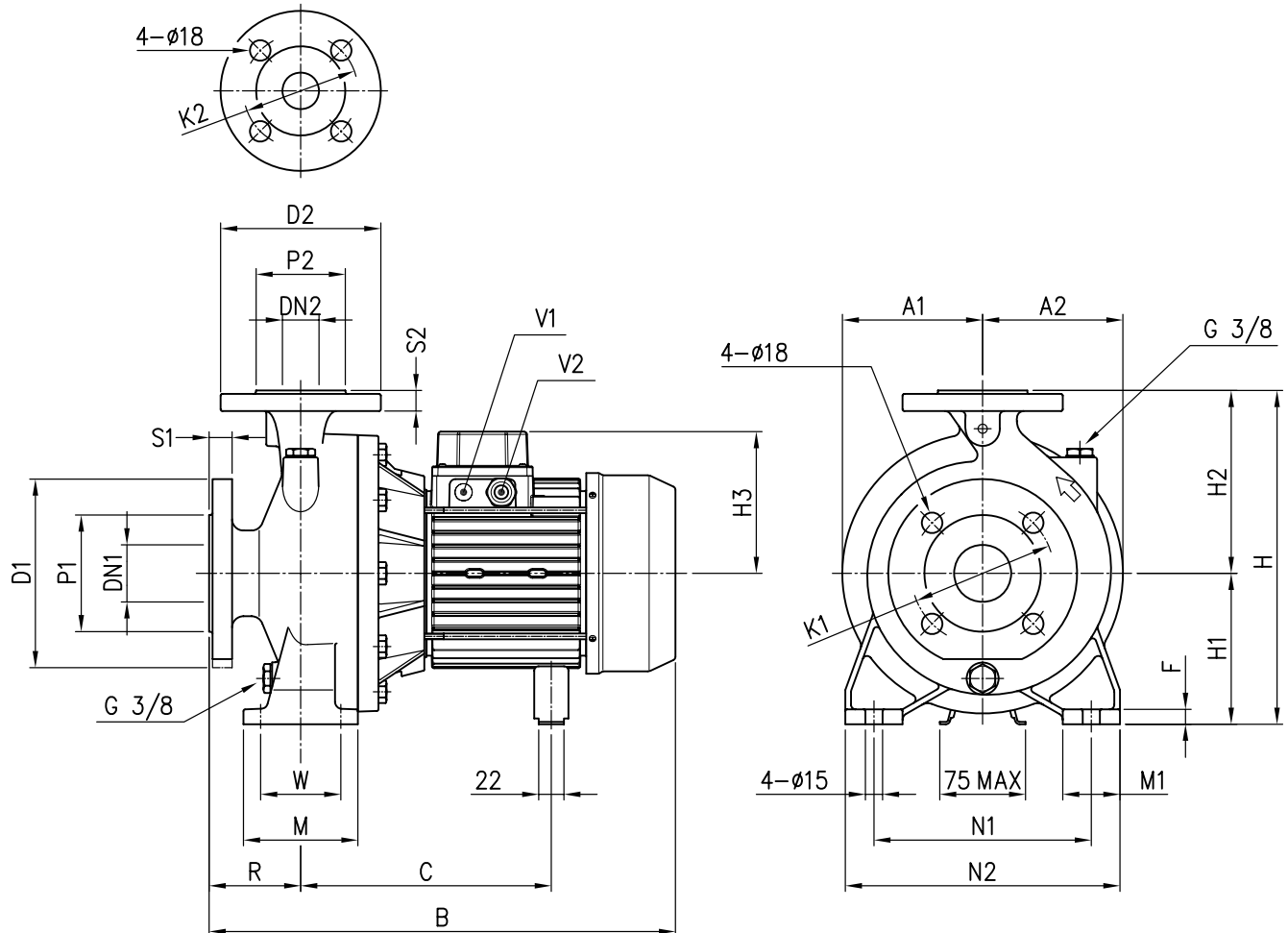
GASKET



DIN	M	M1
32	38	82
40	50	93
50	60	107
65	80	125

Material : EPDM version for standard
 FPM version for hot water maximum 110°C

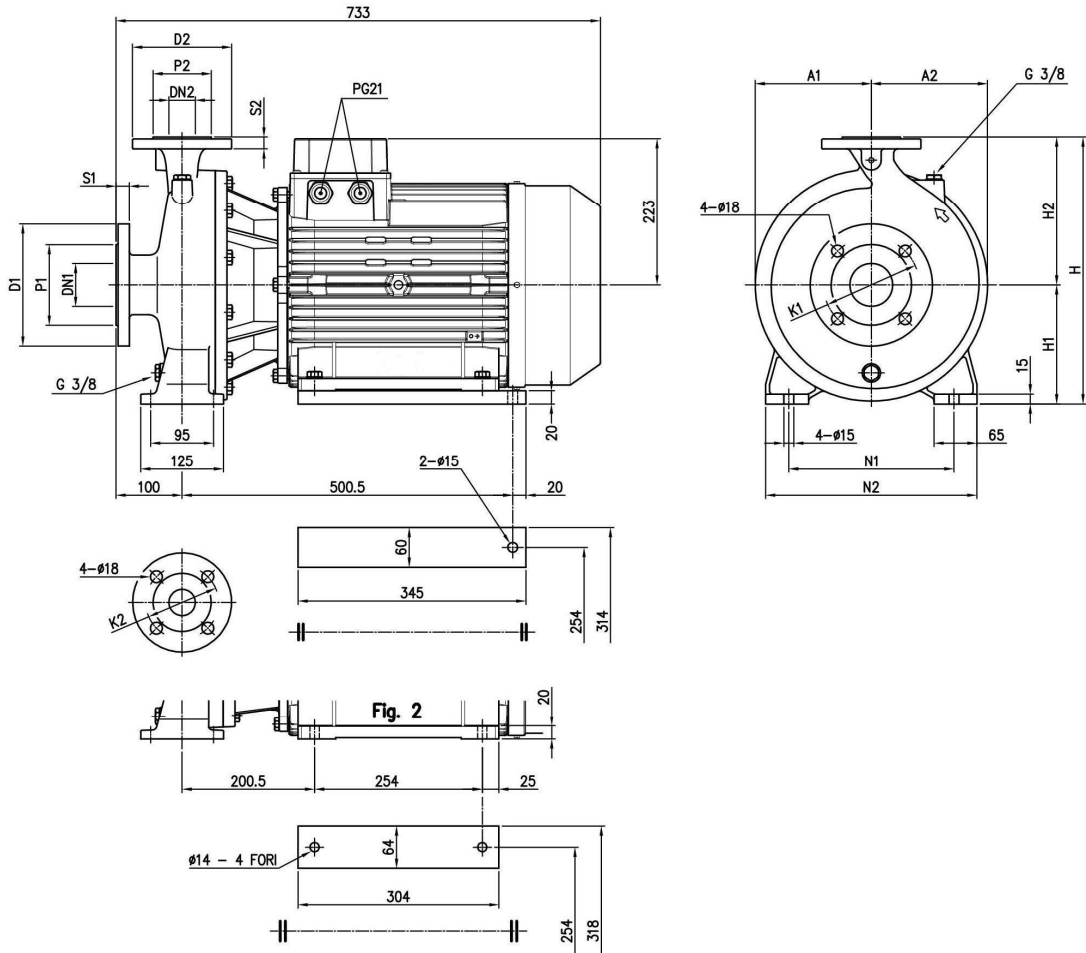
PUMP MD 32-250 / 40-250



Model	Dimensions (mm)																							Weight [kgf]						
	Ø DN1	Ø P1	Ø K1	Ø D1	S1	Ø DN2	Ø P2	Ø K2	Ø D2	S2	H	H1	H2	H3	R	W	M	M1	N1	N2	A1	A2	B (*)	C	F	V1	V2	(*)		
MD 32-250/5.5	50	102	125	165	20	32	78	100	140	18	405	180	225	150	100	95	125	65	250	320	176	176	539	539	275	15	PG 13.5	PG 16	74,2	74,2
MD 32-250/7.5	50	102	125	165	20	32	78	100	140	18	405	180	225	150	100	95	125	65	250	320	176	176	537	557	275	15	PG 13.5	PG 16	74,6	77,7
MD 32-250/9.2	50	102	125	165	20	32	78	100	140	18	405	180	225	178	100	95	125	65	250	320	176	176	589	589	354	15	PG 13.5	PG 21	94,5	94,5
MD 32-250/11	50	102	125	165	20	32	78	100	140	18	405	180	225	178	100	95	125	65	250	320	176	176	589	589	354	15	PG 13.5	PG 21	95	97,4
MD 40-250/11	65	122	145	185	20	40	88	110	150	18	405	180	225	178	100	95	125	65	250	320	176	176	589	589	354	15	PG 13.5	PG 21	98	100,4

(*) Only for IE3 Motors

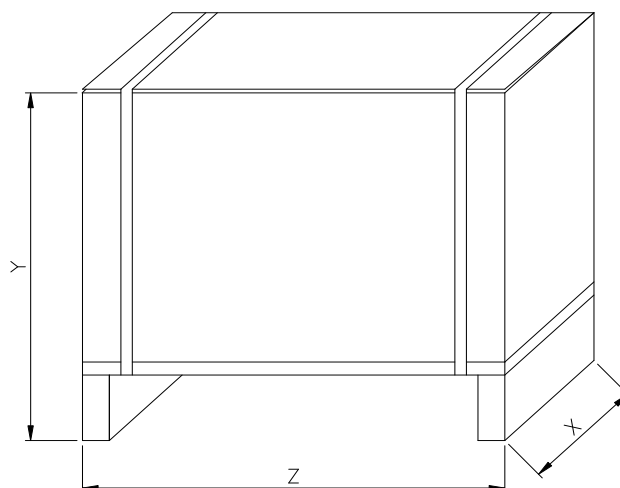
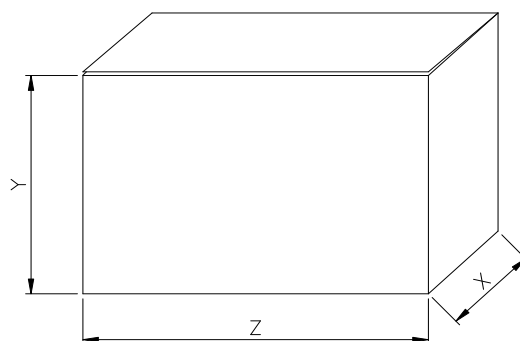
PUMP MD 40-250 / 50-250



Model	Dimensions [mm]																	Weight [kgf]	
	Ø DN1	Ø P1	Ø K1	Ø D1	S1	Ø DN2	Ø P2	Ø K2	Ø D2	S2	H	H1	H2	N1	N2	A1	A2	(*)	
MD 40-250/15	65	122	145	185	20	40	88	110	150	18	405	180	225	250	320	176	176	102	105,1
MD 50-250/15	65	122	145	185	20	50	102	125	165	20	405	180	225	250	320	176	176	103	106,1
MD 50-250/18.5	65	122	145	185	20	50	102	125	165	20	405	180	225	250	320	176	176	130	136,3
MD 50-250/22	65	122	145	185	20	50	102	125	165	20	405	180	225	250	320	176	176	155	161,1

(*) Only for IE3 Motors

PACKING



Pump type	Packing [mm]			Weight [kgf]
	X	Y	Z	
MD 32-250/5.5	375	560	585	80
MD 32-250/7.5	375	560	585	83
MD 32-250/9.2	375	560	585	102
MD 32-250/11	375	560	585	106
MD 40-250/11	375	560	685	113
MD 40-250/15	375	615	865	116
MD 50-250/15	375	615	865	114
MD 50-250/18.5	375	615	865	146
MD 50-250/22	375	615	865	168

MOTOR DATA

Pump type	Power		Efficiency	Efficiency (% load)			Input [kW]	Full load current		Locked rotor current	
	[kW]	[HP]		h %				[A]		[A]	
				50%	75%	100%		400 V	690 V	400 V	690 V
MD 32-250/5.5	5.5	7.5	IE2	82.9	86.0	87.4	6.29	10.4	6.0	116	67
MD 32-250/5.5	5.5	7.5	IE3	89.2	90.6	90.4	6.09	10.6	6.1	115.3	67
MD 32-250/7.5	7.5	10	IE2	86.1	88.2	88.8	8.45	13.7	7.9	140.0	81
MD 32-250/7.5	7.5	10	IE3	89.0	90.7	90.8	8.26	13.6	7.9	144	83
MD 32-250/9.2	9.2	12.5	IE2	88.6	90.0	89.9	10.23	16.8	9.7	166	96
MD 32-250/9.2	9.2	12.5	IE3	90.1	90.8	90.9	10.12	17.2	10.0	166	96
MD 32-250/11	11	15	IE2	88.9	90.3	90.2	12.20	21.9	12.7	186	108
MD 32-250/11	11	15	IE3	90.4	91.2	91.8	11.98	21.3	12.3	184	107
MD 40-250/11	11	15	IE2	88.9	90.3	90.2	12.20	21.9	12.7	186	108
MD 40-250/11	11	15	IE3	90.4	91.2	91.8	11.98	21.3	12.3	184	107
MD 40-250/15	15	20	IE2	89.3	91.0	91.1	18.00	30.0	17.3	246	143
MD 40-250/15	15	20	IE3	91.2	92.0	91.9	16.32	27.7	17.3	225	130
MD 50-250/15	15	20	IE2	89.3	91.0	91.1	18.00	30.0	17.3	246	143
MD 50-250/15	15	20	IE3	91.2	92.0	91.9	16.32	27.7	17.3	225	130
MD 50-250/18.5	18.5	25	IE2	89.8	91.2	91.7	20.17	36.3	21.0	325	188
MD 50-250/18.5	18.5	25	IE3	91.6	93.0	92.6	19.98	35.0	20.3	328	190
MD 50-250/22	22	30	IE2	89.9	91.9	92.4	23.80	40.8	23.6	383	222
MD 50-250/22	22	30	IE3	92.0	93.1	93.2	23.58	39.7	23.6	391	227

NOISE DATA

Pump type	Power		L _{PA} - dB(A) *
	[kW]	[HP]	
MD 32-250/5.5	5,5	7,5	75
MD 32-250/7.5	7,5	10	
MD 32-250/9.2	9,2	12,5	80
MD 32-250/11	11	15	
MD 40-250/11	11	15	80
MD 40-250/15	15	20	83-82
MD 50-250/15	15	20	83-82
MD 50-250/18,5	18,5	25	
MD 50-250/22	22	30	

*Mean value of several measures at 1m distance around the pump.
Tolerance ± 2.5 dB.